



User Manual

ALUMINIUM CAMPING TABLE



Spend a little Live a lot



General information

Reading and storing the user manual



Before using the article, read the user manual carefully. This particularly applies for the safety notes. Failure to heed this user manual may result in severe injury or damage to the aluminium camping table. For improved readability, the aluminium camping table will be referred to only as the "table" below.

The user manual is based on the standards and rules in force in the European Union. When abroad, you must also observe country-specific guidelines and laws!

Store the user manual. If you pass the table on to third parties, please be absolutely sure to include this user manual.

Explanation of symbols



This signal symbol/word designates a hazard with moderate degree of risk which may lead to death or severe injury if not avoided.



This signal symbol/word designates a hazard with low risk that, if not avoided, may result in minor or moderate injury.

NOTICE!

This signal word warns against potential damages to property.



The certified safety seal (GS mark) confirms that the

aluminium camping table meets the requirements of the German Product Safety Act (ProdSG).

Safety

Proper use

The table is only designed for camping. The table is not a piece of seating furniture and is also not to be used to secure sun shades. The table is only intended for private use and is not suitable for commercial purposes. The table is not a children's toy.

Do not exceed the table's load bearing capacity of 50 kg.

Only use the table as described in this user manual. Any other use is deemed improper and may result in damage to property or even personal injury.

The manufacturer or vendor accepts no liability for damage caused by improper or incorrect use.

Safety notes



WARNING!

Danger of suffocation!

When playing, children may slip the packaging wrapper or the packaging bag over their head and suffocate.

- Keep the packaging material as well as the storage bag away from children.



WARNING!

Risk of injury!

The table is not suitable for standing on, sitting or use as a climbing aid. You could fall down and seriously injure yourself.

- Do not climb, stand or sit on the table.



CAUTION!

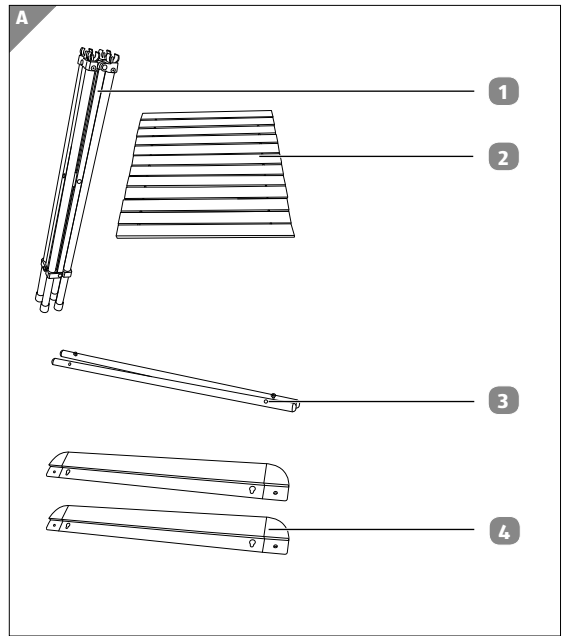
Risk of injury!

If the table is damaged or is not set up correctly, if you support yourself on it, load only one side, excessively load the table or use it as a sun shade frame, the table could tip over. You could injure yourself as a result.

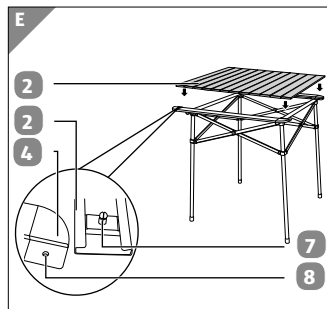
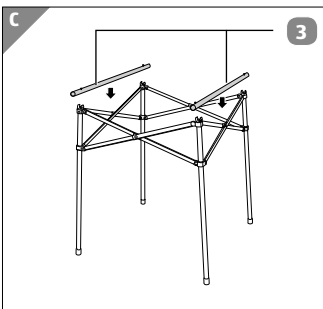
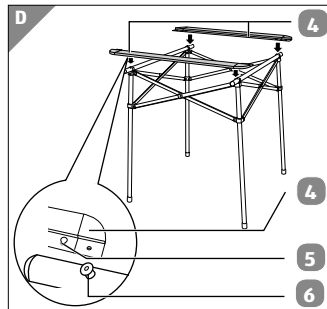
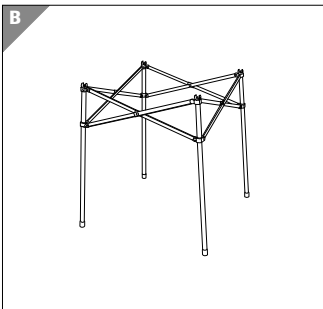
- Do not mount a sun shade on the table.
- Do not support yourself on the table.
- Do not load only one side of the table.

Product contents/ device parts

- 1 Bottom frame
- 2 Tabletop
- 3 Lateral brace 2x
- 4 Side parts 2x
- 5 Guide 4x
- 6 Rivet 4x
- 7 Pin 4x
- 8 Hole in the side parts 4x



Assembly/use



- Check to make sure that the table has been set up properly before each use.
- Do not exceed the table's load bearing capacity of 50 kg.
- Do not make any modifications to the table.

NOTICE!

Risk of damage!

Using the table at extreme effects of weather or exposing it to high temperatures could damage the table.

- Protect the table against exposure to extreme effects of weather such as storms, thunderstorms, severe heat and cold.
- Stop using the table if it is damaged.
- Have damaged parts replaced with suitable original spare parts only.
- Keep the table away from open fire and strong heat sources.

Checking the product contents

NOTICE!

Risk of damage!

The table can be damaged if you open the packaging with a sharp implement.

- Carefully open the package.
 1. Remove all packaging parts.
 2. Take the parts out of the packaging and check whether the individual parts show damage. If this is the case, do not use the table. Contact the manufacturer at the service address specified on the warranty card.
 3. Check to make sure that the delivery is complete (see **fig. A**).

Set-up and dismantling



Risk of injury!

When setting up the table, you could injure yourself on sharp edges or crush your fingers on the frame.

- Do not allow children to set up or take down the table.
- Do not reach into the guides.
- Be careful when setting up and taking down the table.

NOTICE!

Risk of damage!

The rubberised feet may leave marks on sensitive floors.

- Check whether your floor is suitable.

Setting up the table

1. Pull the bottom frame **1** apart (see **fig. B**).
2. Place the two lateral braces **3** on the bottom frame so that they are level (see **fig. C**).
3. Push the lateral braces firmly into the brackets so that the plastic pins lock into the holes in the lateral braces.
4. Attach the side parts **4** to the bottom frame so that the rivets **6** on all four corners are correctly fitted in the guides **5** (see **fig. D**).
5. Roll the tabletop **2** out on the bottom frame from one lateral brace to the other.
6. Insert the four pins **7** on both sides of the tabletop in the holes of the side parts **8** until they audibly lock into place (see **fig. E**).
7. You can now use the table.

Taking the table apart

- To take the table apart, reverse the steps described in the chapter "Setting up the table".

Cleaning and storage

NOTICE!

Risk of damage!

Using the wrong cleaners and cleaning utensils could damage the table.

- Do not use any aggressive cleaners or sharp or metallic objects such as knives, hard scrapers brushes with metal or nylon bristles or similar.

NOTICE!

Risk of damage!

Incorrectly storing the table could damage it.

- Let the table dry completely before storing it and if you do not use it for a prolonged period of time.
- Store the table in a dry area and protect it against extreme effects of weather such as storms, thunderstorms, severe heat and cold.
 1. Take the table apart as described in the chapter "Taking the table apart".
 2. Wipe off all parts of the table with a damp cloth. If necessary, use a mild cleaner, e.g. degreasing detergent.
 3. Let all parts dry completely.
 4. Store all parts of the table in the enclosed storage bag.

Great care has gone into the manufacture of this product and it should therefore provide you with years of good service when used properly. In the event of product failure within its intended use over the course of the first 3 years after date of purchase, we will remedy the problem as quickly as possible once it has been brought to our attention. In the unlikely event of such an occurrence, or if you require any information about the product, please contact us via our helpline support services, details of which are to be found both in this manual and on the product itself.

Produced in China for:

ALDI STORES LTD. PO BOX 26,
ATHERSTONE
WARWICKSHIRE, CV9 2SH.
ALDI STORES (IRELAND) LTD.
PO BOX 726, NAAS, CO. KILDARE.
visit us at www.aldi.com



Disposal

Disposing of the packaging



Dispose of the packaging separated into single type materials. Dispose of cardboard and carton as waste paper and foils via the recyclable material collection service.

Disposing of the table

- Dispose of the table in accordance with the applicable disposal regulations for your country.

Technical data

Type:	FLX-CT-01
Article number:	93297
Weight:	approx. 3 kg
Maximum load-bearing capacity:	50 kg
Dimensions (W x D x H):	approx. 70 x 70 x 70 cm
Material:	Aluminium

As our products undergo continual development and improvement, technical changes and changes to the product design are possible.

This user manual can also be downloaded as a PDF file from our homepage www.flexxtrade.de.

QR-Code -

Try it out now

Just scan the QR code with your smartphone and find out more about the Aldi product you have purchased.



Depending on your tariff plan you may be charged for the connection.

