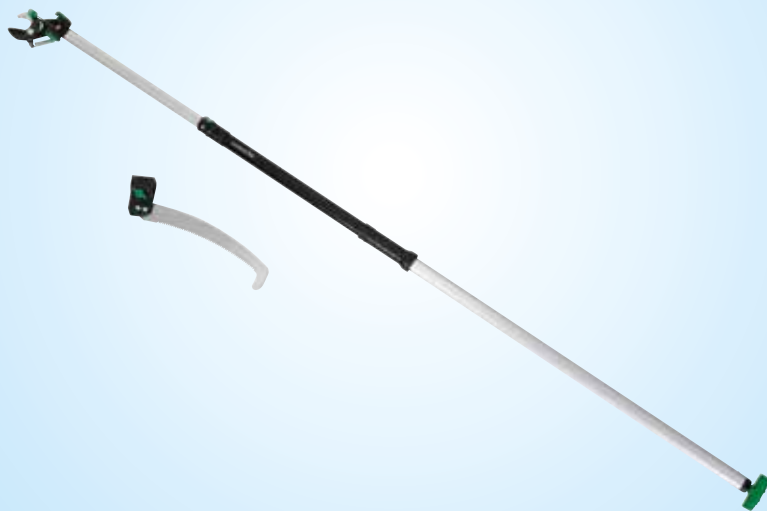


User Manual

GARDENLINE®

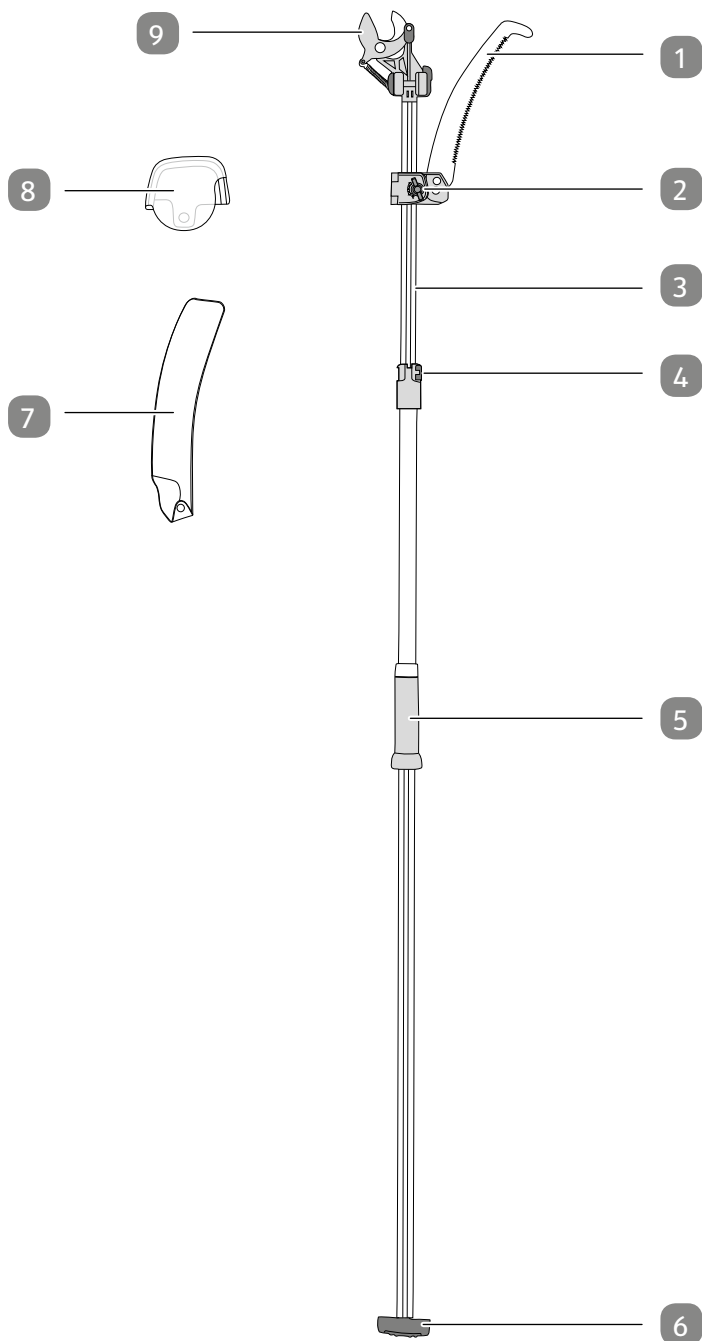
TELESCOPIC TREE PRUNER

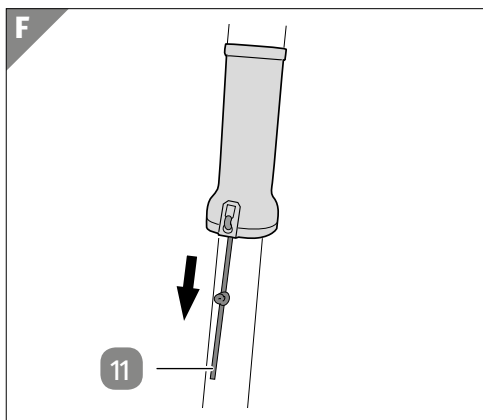
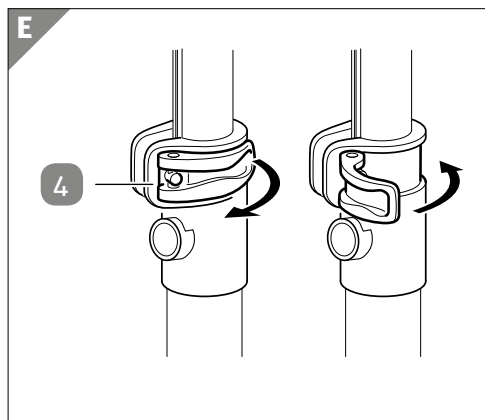
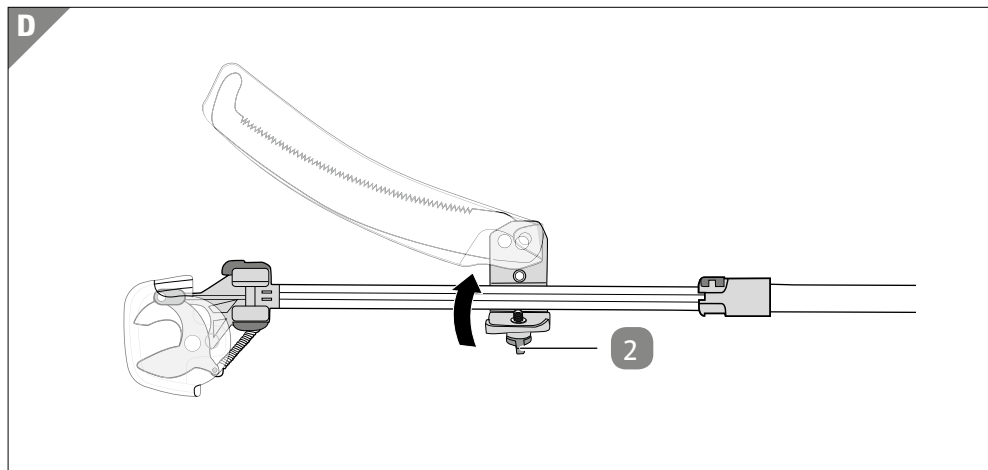
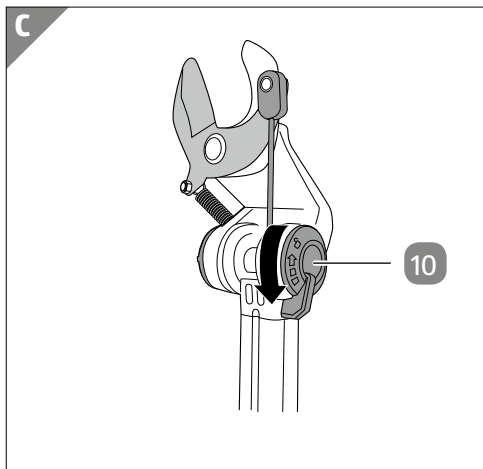
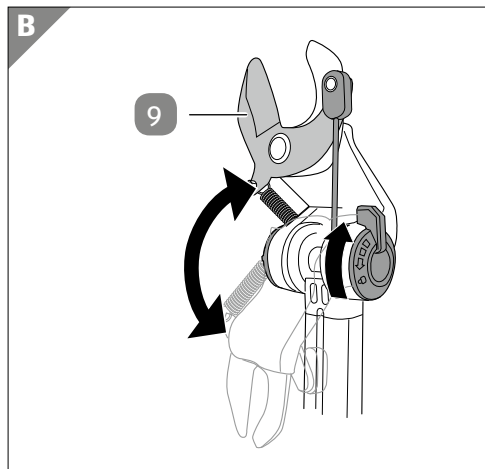


Contents

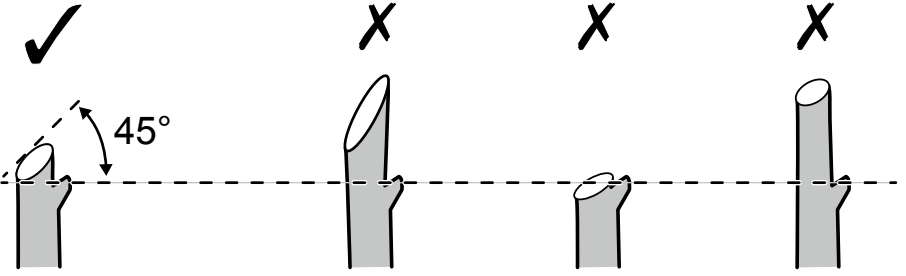
Overview	3
Use	4
Pack contents/device parts	6
General information.....	7
Reading and storing the user manual.....	7
Explanation of symbols	7
Safety	9
Proper use	9
Safety instructions.....	9
Checking the tree pruner and pack contents	11
Preparing the tree pruner	12
Setting the clippers	12
Fixing the saw blade.....	12
Setting the telescopic rod.....	13
Using the tree pruner.....	14
Cutting	14
Sawing.....	15
Correct cutting and sawing.....	15
Cleaning and maintenance	16
Cleaning the tree pruner.....	16
Maintaining the tree pruner	16
Transport.....	16
Storage.....	16
Technical data	17
Disposal	17
Disposing of the packaging	17
Disposing of the tree pruner.....	17
Warranty Details	18
Repair and Refurbished Goods or Parts Notice	19

A





G



Pack contents/device parts

- 1 Saw blade (with bracket)
- 2 Wing nut (saw blade)
- 3 Telescopic rod
- 4 Safety lock (telescopic rod)
- 5 Grip plate
- 6 T-handle
- 7 Protective cover (saw blade)
- 8 Protective cover (clippers)
- 9 Clippers
- 10 Wing nut (clippers)
- 11 Tension cable

General information

Reading and storing the user manual



This user manual accompanies this telescopic tree pruner (hereafter referred to as the “tree pruner”). It contains important information about safety and use.

Before using the tree pruner, please read through the user manual carefully. This particularly applies to the safety instructions. Failure to observe this user manual may result in severe injury or damage to the tree pruner.

Store the user manual for future use. If you pass the tree pruner on to third parties, please be absolutely sure to include this user manual.

Explanation of symbols

The following symbols and signal words are used in this user manual, on the tree pruner or on the packaging.



DANGER!

This signal symbol/word indicates a hazard with high risk that, if not avoided, results in death or a severe injury.



WARNING!

This signal symbol/word designates a hazard with moderate degree of risk which may lead to death or severe injury if not avoided.



CAUTION!

This signal symbol/word designates a hazard with low risk that, if not avoided, may result in minor or moderate injury.

NOTE!

This signal word warns against potential damages to property.



This symbol provides you with useful supplementary information on assembly or operation.



Read the user manual and safety instructions.



Wear head and eye protection.



Wear protective gloves.



Wear non-slip shoes and tight-fitting clothing.



Wear suitable, tight-fitting clothing.



Danger of electric shock! Do not store the tree pruner near high-voltage lines, electric cables or electric fences. Maintain a distance of at least 10 m from high-voltage lines.



Do not use on ladders. Danger of falling due to two-handed operation.



The tree pruner is suitable for fresh wood with a diameter of up to 28 mm.

Safety

Proper use

The tree pruner is only designed to cut fresh wood with a diameter of up to 28 mm. For branches with a diameter greater than 28 mm or for dry, hard wood, use the saw blade supplied.

The tree pruner is intended for private use only and is not suitable for commercial purposes, e.g. for a horticultural business.

Use the tree pruner only as described in this user manual. Any other use is deemed improper and may result in damage to property or even personal injury. The tree pruner is not a child's toy.

The manufacturer or vendor accepts no liability for damage caused by improper or incorrect use.

Safety instructions



Risk of electric shock!

The tree pruner is not protected against electric shocks from touching power lines. There is a risk of electric shock if you allow the tree pruner to touch high-voltage lines, electric cables, electric fences, etc.

- Do not store the tree pruner near high-voltage lines, electric cables, electric fences or the like. Maintain a distance of at least 10 m.



Risk of injury!

Improper use of the tree pruner may result in injury.

- Before each use, check that all screws are tight. Tighten loose screws, nuts and bolts.
- Before each use, check the cutting function of the tree pruner.

- Make sure before each use that the safety lock of the telescopic rod is closed to avoid unintentional retraction or extension of the telescopic rod.
- When the tree pruner is being transported or is not being used, engage the safety lock, fold the clippers all the way down and follow the instructions in the chapters „Transport“ and “Storage”.
- When the tree pruner is being transported or is not being used, always cover the clippers and the blade with the accompanying protective covers to avoid injury from cuts.
- Do not use the tree pruner while standing on ladders.
- Make sure you are in a safe and stable position when using the tree pruner.
- Keep children away from the tree pruner and do not use the tree pruner if children are nearby.
- Children must not be allowed to use the tree pruner or play with it.
- Wear protective gloves, head and eye protection, sturdy shoes and tight-fitting clothing.



Crushing hazard!

There is a risk of crushing if the tree pruner is not used properly.

- Make sure that the safety lock of the telescopic rod is closed when in use.
- Make sure that the safety lock of the grip plate is closed if you are not using the grip plate.
- If you release the grip plate during use, this can shoot upwards and pinch you. Be careful when using the grip plate. Hold it firmly in your hand and always run it back to the original position.

NOTE!

Risk of damage!

Improper handling of the tree pruner may damage it.

- Use the clippers to cut fresh wood only, with a maximum diameter of 28 mm.
- Use the saw blade to cut branches with a diameter greater than 28 mm or for dry, hard wood.
- Observe the correct cutting angle in the chapter “Correct cutting and sawing”.

Checking the tree pruner and pack contents

NOTE!

Risk of damage!

The tree pruner can be damaged if you incautiously open the packaging with a sharp knife or another pointed object.

- Proceed carefully when opening.
1. Take the tree pruner out of the packaging.
 2. Check to make sure that all parts are included (see **Fig. A-F**).
 3. Check whether the tree pruner or individual parts exhibit damage. If this is the case, do not use the tree pruner. Contact the manufacturer at the service address specified on the warranty card.

Preparing the tree pruner

Setting the clippers



Risk of injury!

The blades of the tree pruner are sharp. You could sustain cuts or injuries when setting the clippers.

- Always wear protective gloves when setting the clippers and working with the tree pruner.
- Always place the protective cover over the clippers when they are not being used.

The clippers can be adjusted to a maximum of 180°.

To set the clippers, proceed as follows:

1. Loosen the wing nut **10** of the clippers **9** by turning it clockwise (see **Fig. B**).
2. Turn the clippers to the desired position.
3. Tighten the wing nut again by turning it anticlockwise (see Fig. C).

Fixing the saw blade



Risk of injury!

The saw blade of the tree pruner is sharp. You could sustain cuts or injuries when fixing the saw blade to the tree pruner.

- Always wear protective gloves when fixing the saw blade and working with the tree pruner.
- Always place the protective cover over the saw blade when it is not being used.



The saw blade can be used to saw branches with a diameter greater than 28 mm or for dry, hard wood.

If you would like to use the saw blade **1**, first attach it to the telescopic rod **3** as follows:

1. Loosen the wing nut **2** of the saw blade by turning it anticlockwise.
2. Attach the saw blade bracket to the telescopic rod (see **Fig. D**).
3. Slightly tighten the wing nut of the saw blade by turning clockwise.
4. Slide the saw blade all the way up to the clippers **9**.
5. Loosen the wing nut **10** of the clippers by turning it clockwise.
6. Fold the clippers all the way down.
7. Tighten the wing nut of the saw blade by turning it clockwise.

Setting the telescopic rod

Setting the length

To set the length, proceed as follows:

1. Open the safety lock **4** of the telescopic rod **3** (see **Fig. E**).
2. Set the telescopic rod to the desired length.
The telescopic rod can be extended from 2.29 m to 3.63 m.
3. Close the safety lock of the telescopic rod.
4. Please ensure that the screw is firmly tightened to the safety lock **4**.
Otherwise the telescopic rod **3** can slide downwards.

Setting the opening width of the clippers

The maximum opening width of the clippers is 28 mm. The opening width of the clippers **9** is preset at 28 mm. In some cases it may be necessary to readjust this setting after a few cuts.

To set the opening width, proceed as follows: (see **Fig. F**):

1. Pull the grip plate downwards a few centimetres.
2. Firmly hold the tension cable **11** and then slide the grip plate **5** back to the top.
You will then be able to see the knot in the tension cable.
3. Loosen the knot in the strap.
 - If you wish to shorten the tension cable, tie a new knot above the old knot.
 - If you wish to lengthen the tension cable, tie a new knot below the old knot.
4. Pull the grip plate downwards until you hit the knot.
5. Slide the grip plate up to the top again.

Using the tree pruner

The tree pruner can be used either with the clippers **9** or with the saw blade **1**. With the tree pruner you can:

- cut off dead or diseased branches.
- prune thin branches that obviously carry no blossom or fruit. Those branches are mainly located in the shaded areas of the plant, directly on the trunk and in the middle; removing them promotes the growth of the rest of the plant.
- cut overlapping branches that hinder and damage one another to create a good, strong frame for the plant. This is particularly important for trees (especially apple trees).
- Thin out fruit trees after the harvest or in spring.
- Ornamental trees should be thinned out in autumn and spring.

Cutting



- Make sure that the safety lock of the telescopic rod is always closed during use.
- The tree pruner is equipped with an energy-saving bypass blade system with lever action. The tree pruner should be held at a 45° angle to cut fresh wood. Dry, thin wood can be cut at a 90° angle.

The tree pruner has a grip plate **5** as well as a T-handle **6**, which are connected to the clippers **9** via a cable system.

Depending on the distance, you can use the grip plate or the T-handle. Using the T-handle provides an extended reach.

Cutting with the grip plate

1. Set the telescopic rod **3** to the desired length (see chapter 'Setting the telescopic rod').
2. Make sure that the safety lock **4** of the telescopic rod is in the closed position.
3. Remove the protective cover **8** from the clippers **9**.
4. Pull the grip plate **5** downwards in order to cut.
5. Slide the grip plate up to the top again in order to re-open the clippers.

Cutting with the T-handle

1. Set the telescopic rod **3** to the desired length (see chapter 'Setting the telescopic rod').
2. Make sure that the safety lock **4** of the telescopic rod is in the closed position.
3. Slide the grip plate **5** up to the stop position.

4. Remove the protective cover **8** from the clippers **9**.
5. Pull the T-handle **6** in order to cut.
6. Return the T-handle to its original position in order to re-open the clippers.

Sawing

Use the saw blade **1** to cut branches with a diameter greater than 28 mm or for dry, hard wood.

To saw with the saw blade, proceed as follows:

1. Place the protective cover **8** over the clippers **9**.
2. Fix the saw blade (see chapter “Fixing the saw blade”).
3. Set the telescopic rod **3** to the desired length (see chapter ‘Setting the telescopic rod’).
4. Make sure that the safety lock **4** of the telescopic rod is in the closed position.
5. Remove the protective cover **7** from the saw blade.
6. Firmly hold the tree pruner with both hands.
7. With saw blade resting on the section to be cut, move the tree pruner up and down to saw.

Correct cutting and sawing

In the following, you will find tips on how to cut and saw branches correctly (see **Fig. G**):

Ideal angle at 45°

The correct cut should be about 6 mm away from the bud and have an oblique angle of about 45°.

The angle is too steep

The bud on the stem is weakened.

Too close too the bud

The bud could wither.

Too far away from the bud

A long stump is a target for insects and diseases.

Cleaning and maintenance

NOTE!

Risk of damage!

Improper handling of the tree pruner may damage it.

- Never use aggressive cleaners, brushes with metal or nylon bristles, or sharp or metallic cleaning utensils such as knives, hard scrapers and similar items. They could damage the surfaces.

Cleaning the tree pruner

- For heavier soiling, clean the saw blade **1** and clippers **9** with a damp, soapy cloth.
- Clean the tree pruner and all accessories with a dry cloth.

Maintaining the tree pruner

- Lubricate the clippers **9**, saw blade **1** and joints regularly with a few drops of oil to avoid corrosion.
- Check all parts of the tree pruner for tightness. Re-tighten loose screws, nuts, bolts, etc.

Transport

Proceed as follows if the tree pruner is being transported or is not being used:

1. Make sure that the safety lock **4** of the telescopic rod **3** is in the closed position.
2. Place the protective cover **8** over the clippers **9**.
3. Place the protective cover **7** over the saw blade **1**.
4. Loosen the wing nut **10** of the clippers by turning it clockwise (see **Fig. B**).
5. Fold the clippers all the way down.
6. Tighten the wing nut of the clippers by turning it anti-clockwise.
7. Secure the tree pruner from moving around during vehicle transport.

Storage

- Clean the tree pruner as described in the chapter “Cleaning and maintenance”.
- Store the tree pruner in a dry place inaccessible to children.

Technical data

Product code:	90311
Model:	FLX-TBS-1
Telescopic rod:	2.29 m to 3.63 m
Clippers:	rotatable up to 180°
Saw blade::	detachable

As our products undergo continual development and improvement, technical changes and changes to the product design are possible.

This user manual can also be downloaded as a PDF file from our homepage www.flextrade.de.

Disposal

Disposing of the packaging

Dispose of the packaging separated into single type materials. Dispose of paperboard and cardboard with wastepaper and plastics with recyclable waste.

Disposing of the tree pruner

- Should the tree pruner no longer be capable of being used at some point in time, **dispose of it in accordance with the regulations in force in your city or county.**
- Please ensure your recycling information applies to the local regulations.



GARDENLINE®

Telescopic Tree Pruner



Warranty Details

REGISTER YOUR PURCHASE AT www.aldi.com.au/en/about-aldi/product-registration/
TO KEEP UP-TO-DATE WITH IMPORTANT PRODUCT INFORMATION


The product is guaranteed to be free from defects in workmanship and parts for a period of 36 months from the date of purchase. Defects that occur within this warranty period, under normal use and care, will be repaired, replaced or refunded at our discretion. The benefits conferred by this warranty are in addition to all rights and remedies in respect of the product that the consumer has under the Competition and Consumer Act 2010 and similar state and territory laws.

Our goods come with guarantees that cannot be excluded under the Australian Consumer Law. You are entitled to a replacement or refund for a major failure and for compensation for any other reasonably foreseeable loss or damage. You are also entitled to have the goods repaired or replaced if the goods fail to be of acceptable quality and the failure does not amount to a major failure.

AFTER SALES SUPPORT

  1800 269 981

Free of charge, mobile networks may vary

 support@eurocentra.com.au





GARDENLINE®

Telescopic Tree Pruner

Repair and Refurbished Goods or Parts Notice

REGISTER YOUR PURCHASE AT www.aldi.com.au/en/about-aldi/product-registration/
TO KEEP UP-TO-DATE WITH IMPORTANT PRODUCT INFORMATION

Unfortunately, from time to time, faulty products are manufactured which need to be returned to the Supplier for repair.

Please be aware that if your product is capable of retaining user-generated data (such as files stored on a computer hard drive, telephone numbers stored on a mobile telephone, songs stored on a portable media player, games saved on a games console or files stored on a USB memory stick) during the process of repair, some or all of your stored data may be lost.

We recommend you save this data elsewhere prior to sending the product for repair.

You should also be aware that rather than repairing goods, we may replace them with refurbished goods of the same type or use refurbished parts in the repair process.

Please be assured though, refurbished parts or replacements are only used where they meet ALDI's stringent quality specifications.

If at any time you feel your repair is being handled unsatisfactorily, you may escalate your complaint. Please telephone us on 1800 269 981 (Mon–Fri 8.30 am–6.00 pm AEST) or write to us at:

Euro Centra (Australia) Pty Ltd
c/o Install and Fix Solutions Pty
Unit 7, 210 Robinson Rd East, Geelong QLD 4034
AUSTRALIA
support@eurocentra.com.au

AFTER SALES SUPPORT

☎ AU 1800 269 981

Free of charge, mobile networks may vary

📧 support@eurocentra.com.au



ALDI guarantees that our exclusive brand products are developed to our stringent quality specifications. If you are not entirely satisfied with this product, please return it to the nearest ALDI store within 60 days from the date of purchase, for a full refund or replacement, or take advantage of our after sales support by calling the supplier's Customer Service Hotline.



Made in Taiwan

GARDENLINE® is a registered trademark of ALDI Stores

DISTRIBUTED BY:

ALDI STORES

1 SARGENTS ROAD

MINCHINBURY NSW 2770

www.aldi.com.au

AFTER SALES SUPPORT

90311 



 **1800 269 981**



support@eurocentra.com.au

MODEL:
FLX-TBS-1

03/2020

3
YEARS
WARRANTY